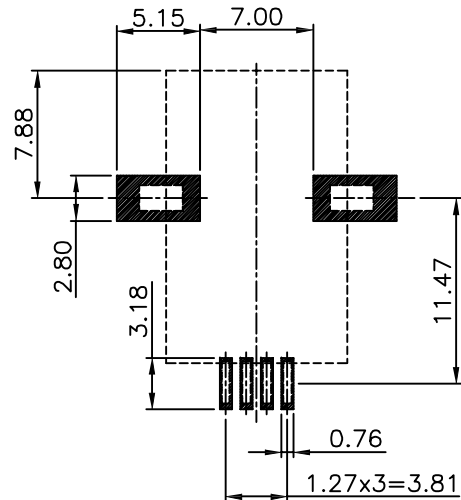
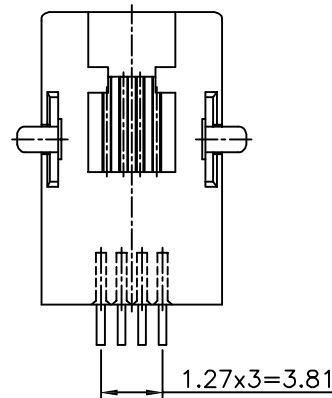
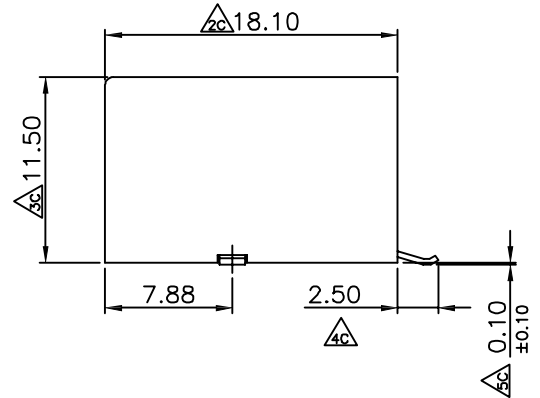
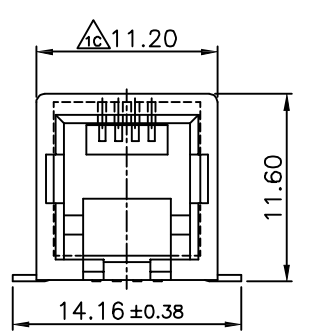


4	3	2	1
CATEGORY	DESCRIPTION	P/N #	
CONNECTOR	RJ11 4P4C SMT Connector		

REV.	ECN NO	DESCRIPTION	REVISED	DATE
A01		New Release	KELLY	2014.06.13



PCB LAYOUT/TOP VIEW

Electrical:

- 1.Voltage Rating:125 Vac Rms.
- 2.Current Rating:1.5 Amp.
- 3.Contact Resistance:40 Milliohms Max.
- 4.Insulation Resistance:1000 Megohms Min @500 Vdc.
- 5.Dielectric Strength:1000 Vac Rms 60Hz, 1Min.

Mechanical:

- 1.Operating:750 Cycles Min.

Environmental:

- 1.Storage:-40°C To +85°C.
 - 2.Opertion:-20°C To +75°C.
 - 3.IR Reflow Soldering Temperature:255°C To 265°C(5~10 Seconds).
- Mates With Modular Plug Conforming To FCC Part 68, Subpart F.

MATERIALS:

PLASTIC HOUSING: HIGH TEMP. THERMOPLASTIC
FLAMMABILITY RATING UL 94V-0.

CONTACTS: PHOSPHOR BRONZE

PLATING: GOLD PLATING OVER NICKEL IN CONTACT.

TIN PLATING OVER NICKEL IN SOLDER AREA.

SOLDER PADER: BRASS PLATING NICKEL ALLOY.



UNLESS OTHERWISE SPECIFIED TOLERANCES	SCALE:1/1	UNIT: mm	DWG.NO:
	SIZE: A3	PAGE:1 OF 1	
DECIMALS:	APPROVED BY	CHECKED BY	PREPARED BY
X :±0.5	TONY	BILL	KELLY
X.X :±0.3	CUSTOMER COPY		
X.XX :±0.2			