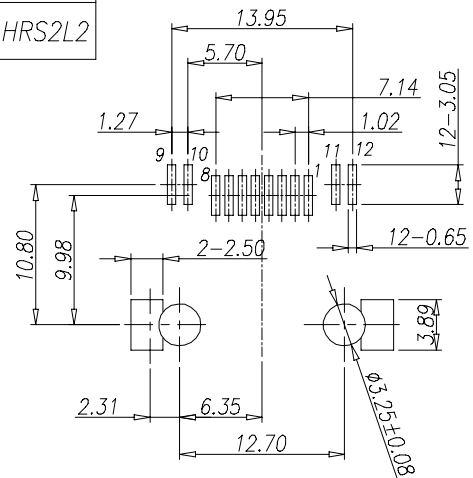
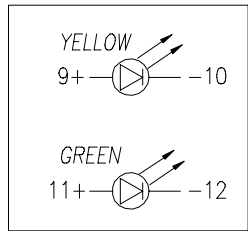
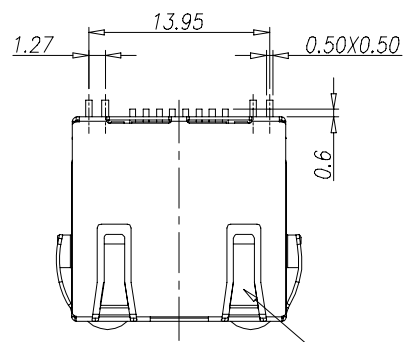
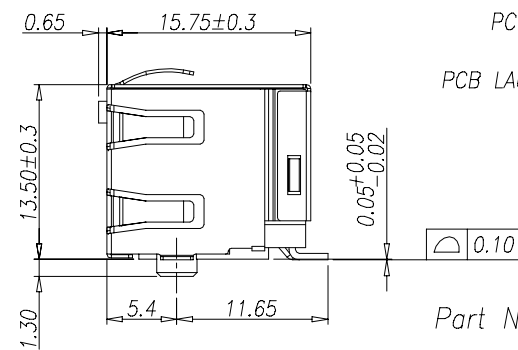
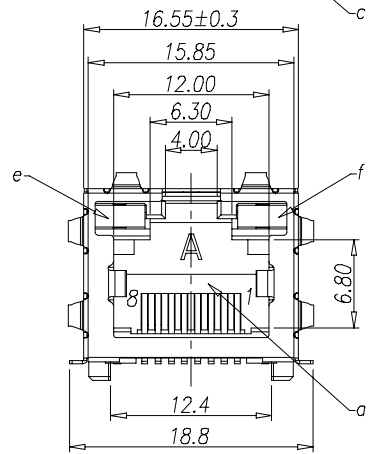


CATEGORY	DESCRIPTION	P/N #
CONNECTOR	Modular Jack, 8P8C, 90° WITH SHELL AND LED SMT TYPE	MJ5688-BX11-HRS2L2

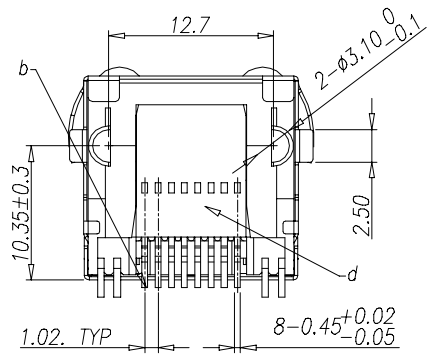
REV.	ECN NO	DESCRIPTION	REVISED	DATE
A0		New Release	Kelly	2012.08.13



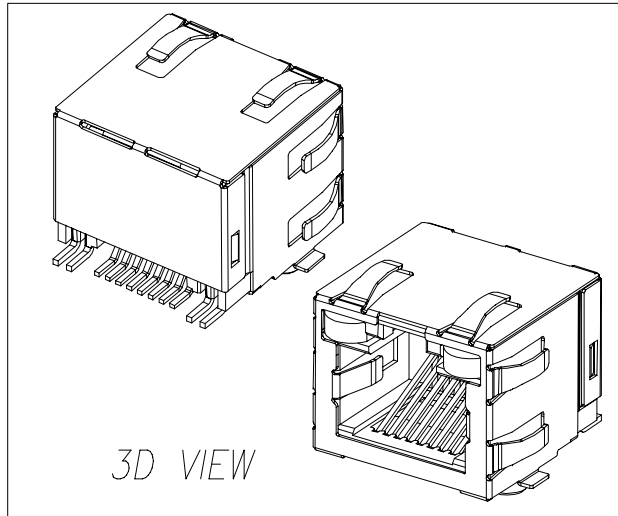
RECOMMEND PCB LAYOUT
 PCB THICKNESS:1.60mm.
 Jack Top View
 PCB LAUOUT TOLERANCE:±0.05mm.



Part No.: MJ5688-BX11-HRS2L2



- Specifications:
1. Rated Current: 1.5A
 2. Contact resistance: 40mΩ MAX.
 3. Insulation resistance: 500MΩ MIN.
 4. Dielectric withstand: 500V AC for 1 minute
 5. Operating temperature: -40°C~+80°C
 6. Insert force: 35N MAX.
 7. Withdraw force: 10N MIN.
 8. Insertion/Extraction life: 750 Cycles
 9. To Conform to the "RoHS Directive"
 10. Resistance to reflow Soldering Heat 260°C 10 Seconds
 11. Solder ability Temperature 245±5°C, 5±0.5 Sec



3D VIEW

Material & Plating

X	Terminal Plating
0	Au 1u" Plating
1	Au 3u" Plating
2	Au 6u" Plating
3	Au 15u" Plating
4	Au 30u" Plating
5	Au 50u" Plating

NO.	PART NAME	Q'TY	MATERIAL	PLATING & COLOR	Remark
f	LED-02	1	Ferroalloy	BRIGHT TIN & GREEN	
e	LED-01	1	Ferroalloy	BRIGHT TIN & YELLOW	
d	Cover	1	HIGH TEMP PLASTIC; UL94V-0	BLACK	
c	Shell	1	Brass T=0.25mm	Plating Ni 80u"Min	
b	Terminal	8	Phophor Bronze T=0.30mm	See Table 1	
a	Housing	1	HIGH TEMP PLASTIC; UL94V-0	BLACK	

UNLESS OTHERWISE SPECIFIED TOLERANCES

DECIMALS: X :±0.5 X.X :±0.3 X.XX :±0.2 X.XXX :±0.1

ANGLES: X :±2° X.X :±1'

SCALE:1/1	UNIT: mm		DWG.NO:
SIZE: A3	PAGE:1 OF 1	REV:A0	WI-061-XXXX
APPROVED BY	CHECKED BY	PREPARED BY	
Tony	Bill	Kelly	
CUSTOMER COPY			