



SPECIFICATION FOR APPROVAL

CUSTOMER _____

CUSTOMER'S PART NO. _____ REV. _____

DESCRIPTION RJ45+USB ICM(1000Base-T 1Port)

CZT'S PART NO. JBGU10920207 REV. A

ISSUE NO. _____

ISSUE DATE MAY.06,2016

<input type="checkbox"/> APPROVED	<input type="checkbox"/> REJECTED:
<input type="checkbox"/> APPROVED UNDER THE CONDITIONS:	

Note:

1. This specification is the proprietary of Yihua Communicated Connector Co., Ltd. and is not allowed to be revealed to third party without any written approval.
2. This specification is valid within 1 year before approval, and for any updated specification information required, please contact with CZT's sales window before order releases.

SPECIFICATION FOR APPROVAL

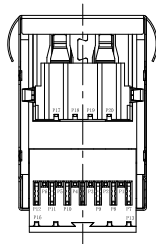
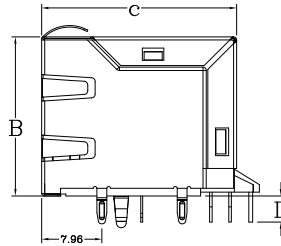
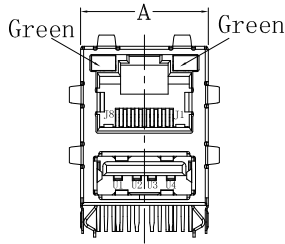
Customer Part No.:
CZT Part No.: JBGU10920207
Part Name: RJ45+USB ICM(1000Base-T 1Port)

Rev.: A



4. Mechanical Dimension and Notes:

4-1. Mechanical Dimension:



UNIT : mm / inch

A = 16.89 / 0.665

B = 21.08 / 0.830

C = 25.78 / 1.015

D = 3.45 / 0.136

Unless otherwise specified, all dimensions tolerances is $\pm 0.254 / 0.010$.

4-2. Notes:

1. CONNECTOR MATERIAL:

1.1 RJ45

HOUSING: THERMOPLASTIC BLACK UL94 V-0

SHIELD: Brass

SHIELD PLATING: NICKEL

CONTACT: PHOSPHOR BRONZE

CONTACT PLATING: SELECTIVE GOLD, 6 MICRO-INCHS MIN IN CONTACT AREA

1.2 USB2.0

HOUSING: THERMOPLASTIC WHITE UL94 V-0

SHIELD: Brass

SHIELD PLATING: NICKEL

CONTACT: PHOSPHOR BRONZE

CONTACT PLATING: SELECTIVE GOLD, 6 MICRO-INCHS MIN IN CONTACT AREA

2. PIN NOT ELECTRICALLY CONNECTED MAYBE OMITTED SEE ELECTRICAL DRAWING FOR OMITTED PINS

3. RJ45 CAVITIES CONFORM TO FCC RULES AND REGULATION PART 68.

4. THE PART IS RECOMMENDED FOR WAVE SOLDERING PROCESS PEAK SOLDERING TEMPERATURE IS 260° C MAX, 10 SECS MAX

5. OPERATING TEMPERATURE T=0° C TO +70° C.

6. STORAGE TEMPERATURE T=-40° C TO +85° C.

LED SPECIFICATION				
STANDARD LED	WAVELENGTH	Forward Current	Forward V(max)	TYP
GREEN	565nm	20 mA	2.4V	2.2V

Drawn by
ChenLingjuan

Designed by
ZhangChao

Approved by
Topup.Liu

SPECIFICATION FOR APPROVAL

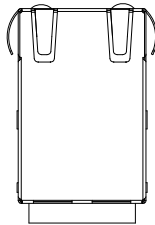
Customer Part No.:
CZT Part No.: JBGU10920207
Part Name: RJ45+USB ICM(1000Base-T 1Port)

Rev.: A

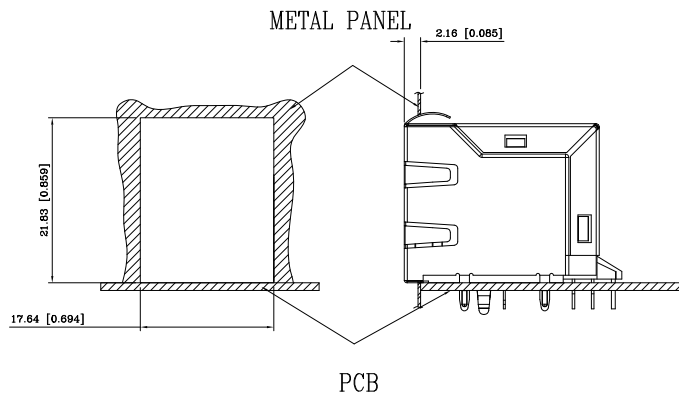


5. Label and Recommended PWB Layout and Suggested Panel Opening: 5-1. Label:

Plug In Side



5-2. Suggested Panel Opening:



UNIT: mm / inch
Tolerances: ± 0.10 / 0.004

REFERENCE ONLY

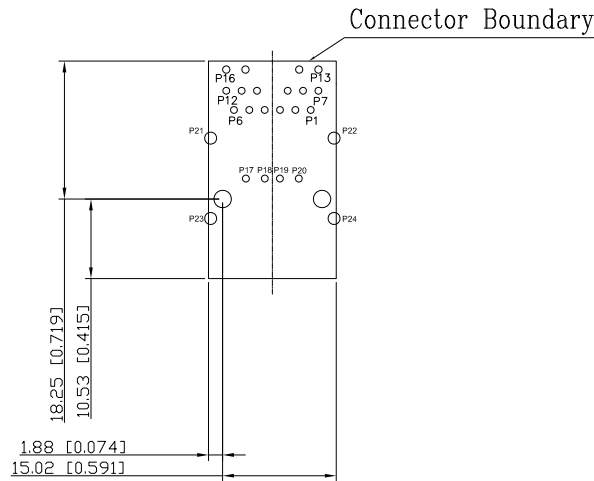
SPECIFICATION FOR APPROVAL

Customer Part No.:
 CZT Part No.: JBGU10920207
 Part Name: RJ45+USB ICM(1000Base-T 1Port)

Rev.: A



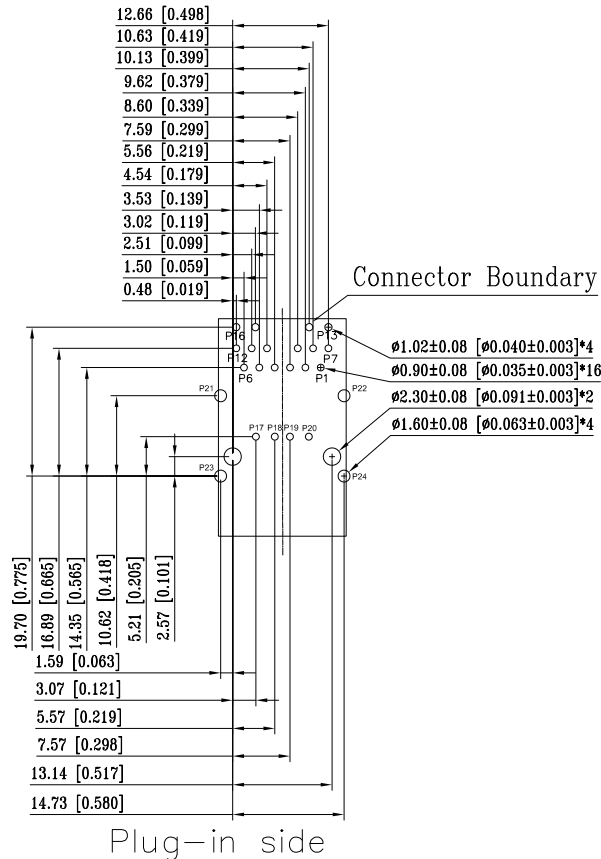
5-3. Keep-Out Area (Component Side View):



UNIT: mm / inch
 Tolerances: ± 0.10 / 0.004

Plug-in side

5-4. Recommended PWB Layout (Component Side View):



UNIT: mm / inch
 Tolerances: ± 0.10 / 0.004

Plug-in side

SPECIFICATION FOR APPROVAL

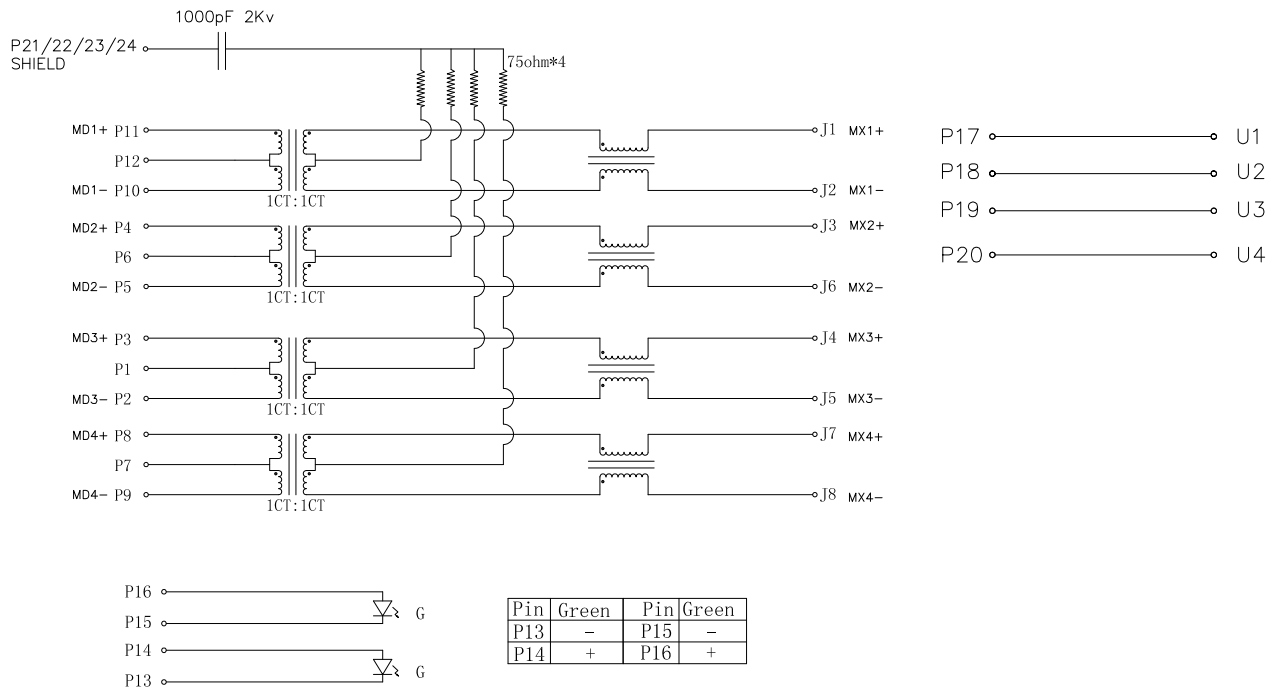
Customer Part No.:
 CZT Part No.: JBGU10920207
 Part Name: RJ45+USB ICM(1000Base-T 1Port)

Rev.: A



6. Circuit Schematic and Electrical Specifications:

6-1. Circuit Schematic:



6-2. Electrical Specifications:

- 1.0 Turn Ratio @100KHz: (P11~P10):(J1~J2) = 1:1±5%
 (P4~P5):(J3~J6) = 1:1±5%
 (P3~P2):(J4~J5) = 1:1±5%
 (P8~P9):(J7~J8) = 1:1±5%
- 2.0 Primary Inductance: 350uH MIN @100KHZ,0.1V 8mA DC BIAS
- 3.0 DC Resistance: 1.2 OHMS MAX
- 4.0 Insertion Loss: 1-100MHz -1.0dB MAX
 100-125MHz -1.2dB MAX
- 5.0 Return Loss: 1-40MHz -16dB MIN
 40-60MHz -12dB MIN
 60-80MHz -10dB MIN
 80-100MHz -8dB MIN
- 6.0 CROSS TALK: 1-100MHz -30dB MIN
- 7.0 COMMON TO COMMON MODE ATTENUATION: 1-100MHz -30dB MIN
- 8.0 Isolation: PHY Side to Line Side: 2250VDC